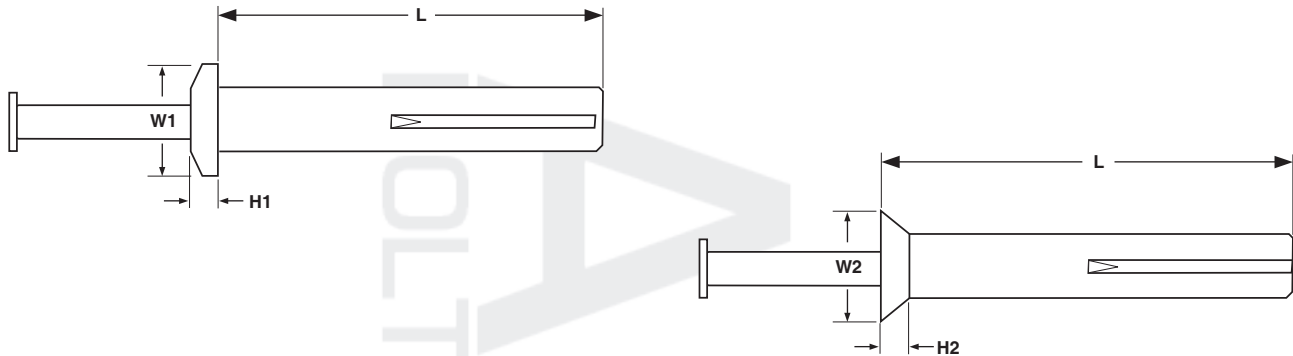


# Hammer Drive Anchors

Steel &  
Stainless



ZINC ALLOY HAMMER DRIVE ANCHORS										FF-S-325, Group V, Type 2, Class 3			
Anchor Size	Fixture Clearance Hole	H1	W1	H2	W2	Performance Data							
		Mushroom Head		Flat Head		Embedment Depth	In 4000 psi. Concrete		In C-90 Hollow Block		In Solid Red Brick		
		Height	Width	Height	Width		Tensile (lbs.)	Shear (lbs.)	Tensile (lbs.)	Shear (lbs.)	Tensile (lbs.)	Shear (lbs.)	
		Ref	Ref	Ref	Ref								
3/16	1/4	7/64	13/32	-	-	3/4	500	1000	270	860	460	920	
1/4	5/16	9/64	35/64	3/16	35/64	5/8	600	1500	360	1040	570	1250	
						3/4	720	1500	480	1160	790	1400	
						1	820	1500	590	1320	820	1400	
						1 3/8	1150	1500	800	1320	950	1400	
						1 1/2	1300	1500	965	1320	1015	1400	

\*Recommended safe working load is one-fourth of the proof test load.

<b>Description</b>	A two-piece fastener consisting of a tubular stem with a dome or flat-flister shaped head and a nail which is driven through the hollow center of the stem of the anchor. The stem is slit longitudinally on opposite sides from the bottom of the shank to the place where the point of the nail extends into the stem.	
<b>Applications/ Advantages</b>	Hammer drives are considered to be light-duty anchors. They are designed for attaching termination bar to solid concrete, solid brick, block or masonry walls. Its advantages include ease of installation, its immediate loading capabilities and the tamper-resistant nature of the finished assembly.	
<b>Material</b>	<i>Steel/Zamac</i>	<i>Stainless</i>
	<b>Anchor:</b> Zinc Alloy <b>Pin:</b> AISI 1018 or equivalent carbon steel	<b>Anchor:</b> Zinc Alloy <b>Pin:</b> Type 304 stainless steel
<b>Proof Load</b>	Hammer drive anchors shall not be removable when set in concrete of 3000 psi compressive strength and subjected to the test loads in an axial direction, as specified in the above table. The masonry shall show no evidence of failure attributable to the anchor.	
<b>Plating</b>	Pins of steel hammer drive anchors are commonly supplied with a zinc plating.	Stainless hammer drive anchors do not have additional coatings applied.